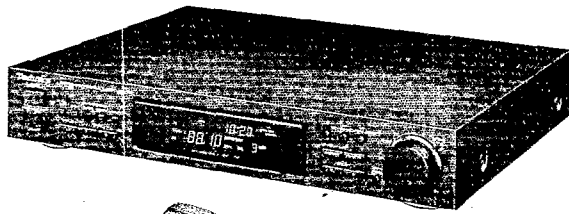


# Service Manual

STEREO SYNTHESIZER TUNER

Tuner  
**ST-X302L**



Main PCB  
DISCON

Color

(K) ..... Black Type

**Areas**

| Country Code | Area   | Color |
|--------------|--|-------|
| (E)          | Continental Europe                               | (K)   |
| (EB)         | Great Britain                                    |       |
| (GC)         | Asia, Latin America, Middle Near East and Africa |       |
| (GN)         | Oceania  |       |

**SPECIFICATIONS**  
(DIN 45 500)

■ **FM TUNER SECTION**

Frequency range 87.50~108.00 MHz (0.05 MHz steps)  
 Sensitivity 1.5 μV (IHF, usable)  
 S/N 30 dB 1.3 μV (75Ω)  
 S/N 26 dB 1.2 μV (75Ω)  
 S/N 20 dB 0.9 μV (75Ω)  
 IHF 46 dB stereo quieting sensitivity 28 μV/75Ω  
 Total harmonic distortion  
 MONO 0.15%  
 STEREO 0.3%  
 S/N  
 MONO 70 dB (78 dB, IHF)  
 STEREO 65 dB (70 dB, IHF)  
 Frequency response 20 Hz~15 kHz, +0.5 dB~-1.5 dB  
 Alternate channel selectivity  
 ±400 kHz 55 dB  
 Capture ratio 1.0 dB  
 Image rejection at 98 MHz 45 dB  
 IF rejection at 98 MHz 90 dB  
 Spurious response rejection at 98 MHz 75 dB  
 AM suppression 55 dB  
 Stereo separation  
 1 kHz 40 dB  
 10 kHz 30 dB  
 Carrier leak  
 19 kHz -30 dB (-35 dB, IHF)  
 38 kHz -45 dB (-50 dB, IHF)  
 Channel balance (250 Hz~6,300 Hz) ±1.5 dB  
 Limiting point 1.2 μV  
 Bandwidth  
 IF amplifier 180 kHz  
 FM demodulator 1000 kHz  
 Antenna terminals 75Ω (unbalanced)

■ **AM TUNER SECTION**

Frequency range  
 MW  
 For Continental Europe, Great Britain and Oceania 522 kHz~1611 kHz (9 kHz steps)  
 530 kHz~1620 kHz (10 kHz steps)  
 For others 531 kHz~1602 kHz (9 kHz steps)  
 530 kHz~1600 kHz (10 kHz steps)

LW  
 For Continental Europe, Great Britain and Oceania

144 kHz~288 kHz (9 kHz steps)  
 146 kHz~290 kHz (9 kHz steps)  
 153 kHz~279 kHz (9 kHz steps)  
 155 kHz~281 kHz (9 kHz steps)

For others

Sensitivity (S/N 20 dB)

MW 20 μV, 300 μV/m  
 LW 50 μV

Selectivity (±9 kHz)

MW (at 999 kHz) 50 dB  
 LW (at 254 kHz) 50 dB

Image rejection

MW (at 999 kHz) 40 dB  
 LW (at 254 kHz) 40 dB

IF rejection

MW (at 999 kHz) 60 dB  
 LW (at 254 kHz) 60 dB

■ **TIMER SECTION**

Clock Quartz-lock type 24-hour indication  
 Functions 24-hour programmable; weekly (1 setting) once only (1 setting) sleep (at 1~120 min., 1-min. intervals)

Programmable content

Program source (FM, MW, LW, CD, TAPE)  
 Timer rec/timer play/power ON/OFF setting  
 Designation of preset station

Setting intervals

1 minute~23-hours, 59 minutes (at 1-min. intervals) sleep, once, weekly

Priority order

■ **GENERAL**

Output voltage 0.3 V (0.6 V IHF)  
 Power consumption 9 W (Standby 6 W)

Power supply

For Continental Europe AC 50 Hz/60 Hz, 220 V  
 For Great Britain and Oceania AC 50 Hz/60 Hz, 240 V  
 For others AC 50 Hz/60 Hz, 110 V/127 V/220 V/240 V

Dimensions (W×H×D)

360×64.5×304 mm (14<sup>9</sup>/<sub>16</sub>"×2<sup>1</sup>/<sub>2</sub>"×12")  
 2.3 kg (5 lb.)

Weight

Note: Specifications are subject to change without notice. Weight and dimensions are approximate.

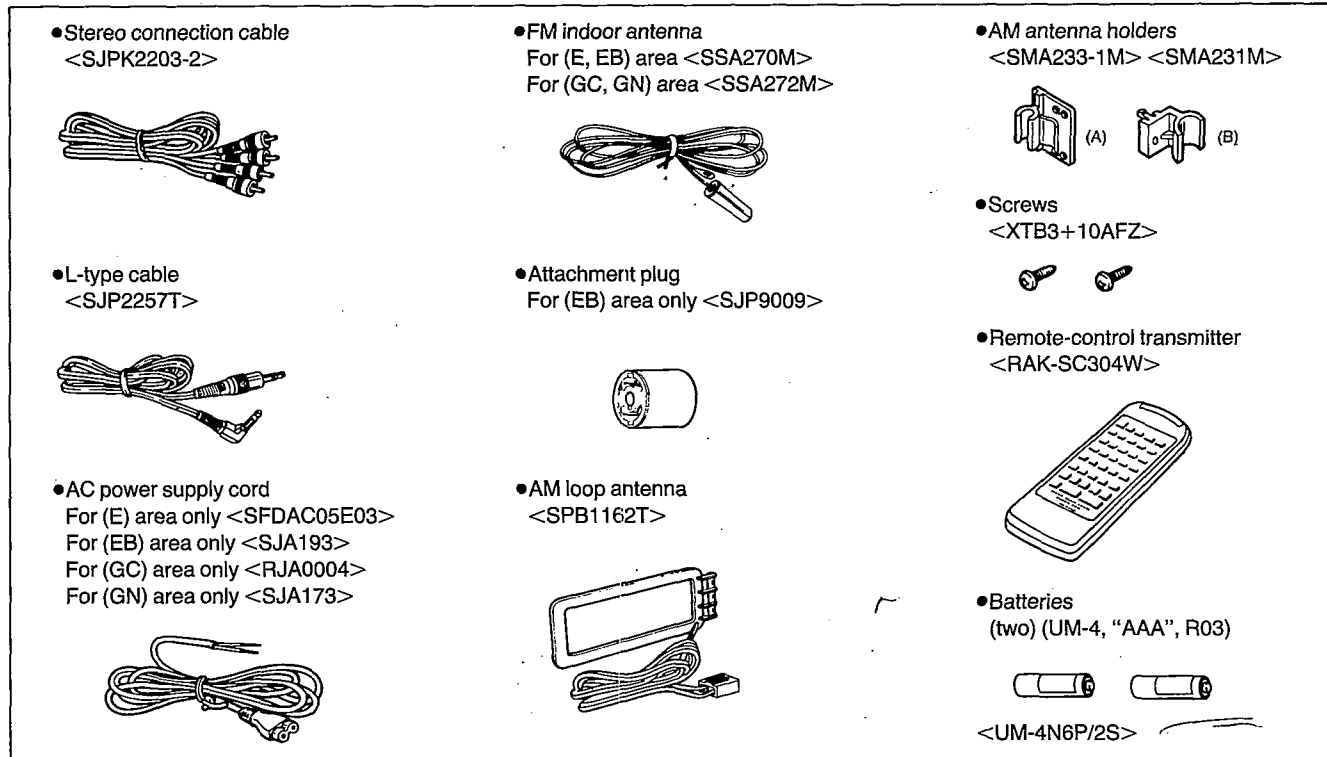
**Technics**

## ■ CONTENTS

|   |       |
|---|-------|
| ACCESSORIES .....                                     | 2     |
| LOCATION OF CONTROLS .....                            | 2, 3  |
| CONNECTIONS .....                                     | 4     |
| DISASSEMBLY INSTRUCTIONS .....                        | 5, 6  |
| MEASUREMENTS AND ADJUSTMENTS .....                    | 7, 8  |
| SCHEMATIC DIAGRAM .....                               | 9~12  |
| CIRCUIT BOARDS AND WIRING CONNECTION<br>DIAGRAM ..... | 13~15 |

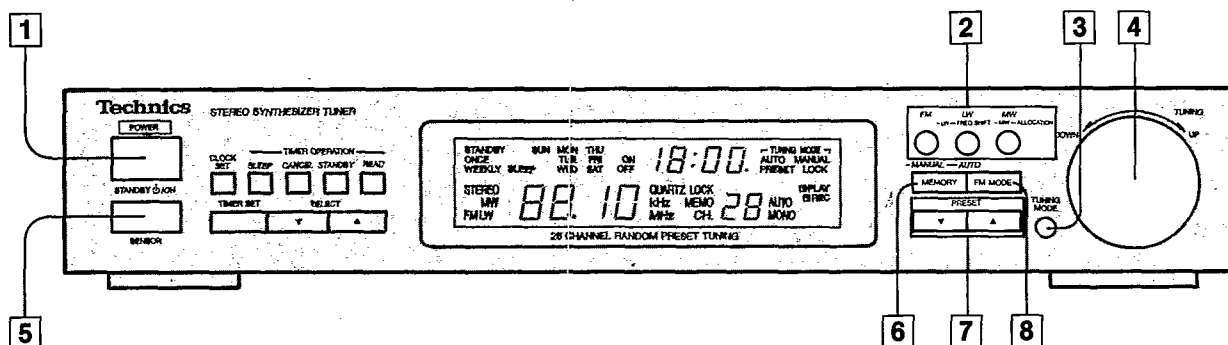
|   |        |
|---|--------|
| TERMINAL GUIDE OF IC'S, TRANSISTORS AND<br>DIODES ..... | 15     |
| DESCRIPTION OF FL PANEL .....                           | 15     |
| BLOCK DIAGRAM .....                                     | 16, 17 |
| FUNCTIONS OF IC TERMINALS .....                         | 18     |
| REPLACEMENT PARTS LIST .....                            | 19~23  |
| CABINET PARTS LOCATION .....                            | 24     |
| PACKING .....   | 25     |

## ■ ACCESSORIES

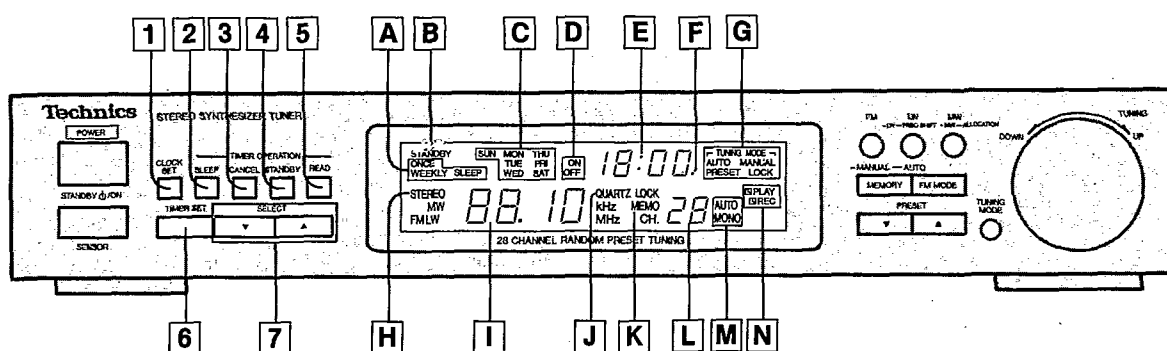


## ■ LOCATION OF CONTROLS

The indication AM used here includes both MW and LW.



- |   |  |
|---|--|
| <ul style="list-style-type: none"> <li>1 Power "STANDBY" / "ON" switch<br/>(POWER/STANDBY / "ON")</li> <li>2 Band selectors</li> <li>3 Tuning-mode selector (TUNING MODE)</li> <li>4 Tuning control (TUNING)</li> </ul> | <ul style="list-style-type: none"> <li>5 Remote-control signal receptor (SENSOR)</li> <li>6 Memory button (MEMORY)</li> <li>7 Preset-channel buttons (PRESET)</li> <li>8 FM mode selector (FM MODE)</li> </ul> |
|---|--|



## Timer section

### 1 Clock set button (CLOCK SET)

This button can be used, when setting the unit to the present day and time, to select the item (day, hour and minute) to be set next.

### 2 Sleep button (SLEEP)

This button can be used to set the time at which the power will be switched OFF.

### 3 Cancel button (CANCEL)

This button can be used to erase the timer setting or to cancel a setting that is being made, if, for example, you decide to do something else.

### 4 Stand-by button (STANDBY)

This button can be used to temporarily cancel the timer setting.

### 5 Read button (READ)

This button can be used to check the programmed setting.

### 6 Timer set button (TIMER SET)

This button can be used, when making the timer setting, to select the type of timer operation, the day, the time, etc.

### 7 Select buttons (SELECT)

These buttons can be used to set the unit to the present day and time, and for setting the day, time, etc. for timer operation.

## Display section

### A Timer-mode indicator (ONCE/WEEKLY/SLEEP)

This indicator shows the type of timer operation that has been selected.

### B Stand-by indicator (STANDBY)

This indicator shows that the timer has been set to operate at the programmed time.

### C Day display

This display shows the present day, and (if the timer has been set) the day it has been set for.

### D Timer ON/OFF indicator (ON/OFF)

This indicator shows whether the times for timer switch-ON and switch-OFF have been set.

### E Time display

This display shows the present time, and (if the timer has been set) the time it has been set for.

### F Colon indicator

This indicator shows, by flashing continuously, that the clock is operating.

### G Tuning-mode indicator (AUTO/MANUAL/PRESET/LOCK)

The words "AUTO", "MANUAL", "PRESET" and "LOCK" illuminate in succession each time the tuning-mode selector is pressed.

### H FM stereo indicator (STEREO)

This indicator automatically illuminates when an FM stereo broadcast is being received.

It will not illuminate if the FM mode selector is set to the monaural mode.

### I Digital frequency display

For timer operation, "CD" and "TAPE" are displayed.

### J Quartz-lock indicator (QUARTZ LOCK)

This indicator illuminates when the unit is tuned precisely to a broadcast station.

### K Memory indicator (MEMO)

This indicator illuminates when the memory button is pressed.

### L Channel display

This display shows the channel number selected by one of the preset-channel buttons.

### M FM mode indicator (AUTO/MONO)

When FM broadcasts are being received, usually the "AUTO" indication is illuminated.

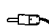

When the FM mode selector is used to select monaural reception, the word "MONO" illuminates.

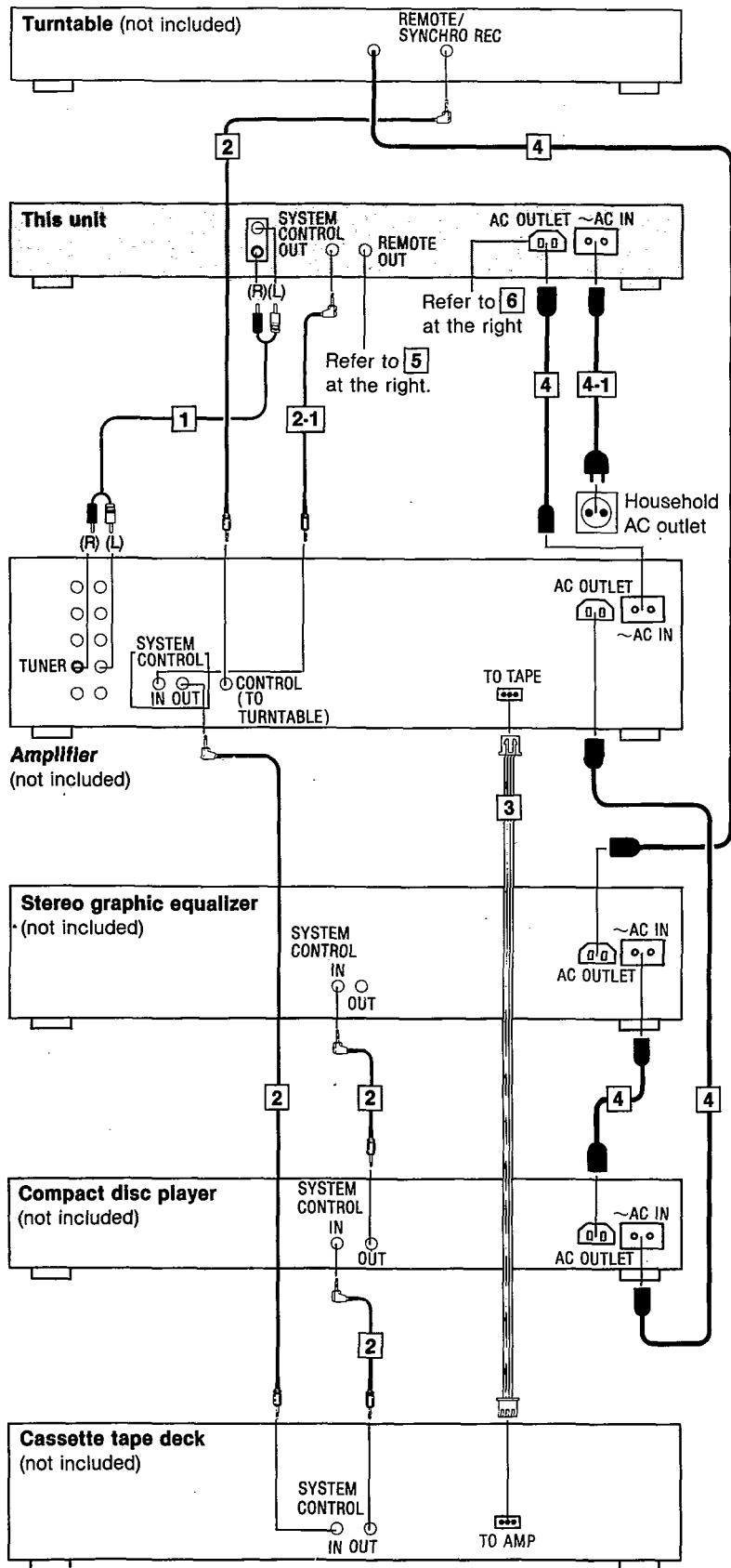
### N Timer play/rec indicator (PLAY/REC)

## CONNECTIONS

Make connections in the numbered sequence by using the included cables and power cord.

### Stereo connection cable

White (L)   
Red (R) 



Make connections as described below for remote-control operation and timer operation. For information concerning the stereo connection cables of each unit, refer to that unit.

**1 Connect the stereo connection cable** (included).

**2 Connect the L-type cables.**

**2-1 Connect the L-type cable** (included).

If the compact disc player is not used in combination with these components, connect the L-type cable included with the stereo graphic equalizer to the "SYSTEM CONTROL OUT" terminal of the cassette deck.

**3 Connect the 3-core flat cable**

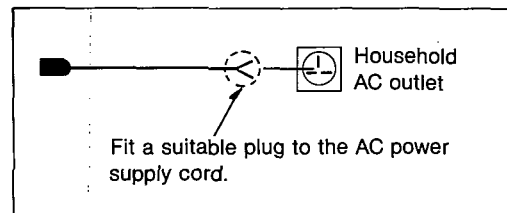
(included with the cassette deck).

**4 Connect the AC power supply cords.**

**4-1 Connect the AC power supply cord** (included).

① Connect this cord only after all other cables have been connected.

② For United Kingdom



### Notes:

- Configuration of the AC outlets and AC power supply cords differ according to area.
- If the compact disc player is not used in combination with these components, connect the AC power supply cord of the stereo graphic equalizer to the AC outlet of the amplifier.

**5 "REMOTE OUT" terminal**

This terminal is used to connect to the "REMOTE IN" terminal of the Technics multi-compact disc player (not included).

**6 "AC OUTLET"**

**"SWITCHED" outlet**

Power is controlled by the power switch.

Audio equipment rated up to 500 W can be connected here.

### Note:

If other audio equipments are to be connected to this outlet, make sure that the total power consumption does not exceed the rating of the outlet.

## DISASSEMBLY INSTRUCTIONS

ST-X302L

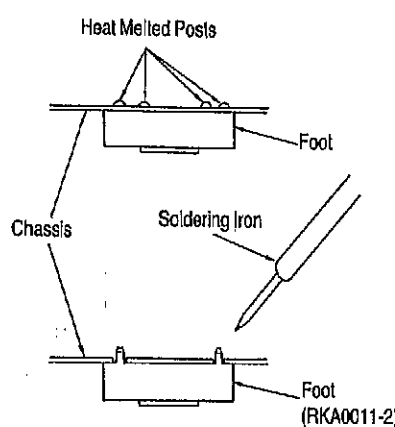
ST-X302L

| "ATTENTION SERVICER"<br>Some chassis components may have sharp edges. Be careful when disassembling and servicing. |  |                      |  |
|--|--|----------------------|--|
| Ref. No.<br>1  | Removal of the cabinet   | Ref. No.<br>2        | Removal of the front panel   |
| Procedure<br>1   |  | Procedure<br>1-2     |  |
|  | •Remove the 5 screws (1-5).  |                      | 1. Remove the 2 screws (1, 2).<br>2. Remove the front panel in the direction of arrow. |
| Ref. No.<br>3  | Removal of the FL drive P.C.B.   | Ref. No.<br>4        | Removal of the operation P.C.B.  |
| Procedure<br>1-2-3   |  | Procedure<br>1-2-3-4 |  |
|  | 1. Pull out the tuning knob.<br>2. Remove the nut.<br>3. Remove the 2 screws (1, 2).<br>4. Release the 1 claw. |                      | 1. Remove the 2 screws (1, 2).<br>2. Release the 2 claws.                              |
| Ref. No.<br>5  | Removal of the sensor/operation P.C.B.   | Ref. No.<br>6        | Removal of the main P.C.B.   |
| Procedure<br>1-2-3-5   |  | Procedure<br>1-2-6   |  |
|  | 1. Remove the 3 screws (1-3).<br>2. Release the 2 claws.   |                      | 1. Remove the flat cable (CN701).<br>2. Remove the 6 screws (1-6).                     |

| Ref. No.<br>6      | Removal of the main P.C.B.   | Ref. No.<br>7    | Removal of the power supply P.C.B.  |
|--------------------|--|------------------|---|
| Procedure<br>1-2-6 |  | Procedure<br>1-7 |   |
|                    | 1. Remove the flat cable (CN701).<br>2. Remove the 6 screws (1-6). |                  | 1. Remove the flat cable (CN701).<br>2. Remove the 3 screws (1-3).<br>3. Remove the 2 claws of AC outlet cover. |

### Replacement of the Foot.

1. Remove the 4 heat melled posts on the chassis with a pair of nippers or similar tool.
2. To replace the foot (RKA0011-2) on the chassis, melt the 4 posts with a soldering iron.



## MEASUREMENTS AND ADJUSTMENTS

### FM ADJUSTMENT

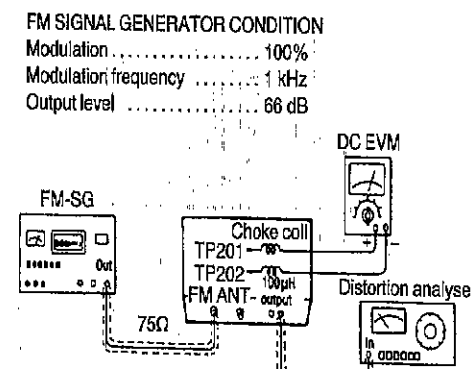
#### Control positions and equipment used

- FM signal generator (FM-SG)
- Distortion analyser
- DC electronic voltmeter (EVM)
- Frequency counter
- Choke coil (100  $\mu$ H)
- Resistor (100 k $\Omega$ )

Note: For Z251 (AM-ANT/OSC) and Z202 (AM-IFT), they are supplied as adjusted parts. So, do not turn the cores of the parts. It is not necessary to adjust the AM circuit.

### FM MONO DISTORTION ADJUSTMENT

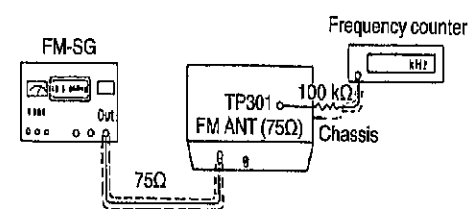
1. Test equipment connection is shown in figure.
  2. Set the unit to "FM" mode.
  3. Set the radio frequency display and signal generator to 100.10 MHz.
  4. Adjust the core of T201 so that the voltage measured in signal mode is 0 mV ( $0 \pm 20$  mV) in 300 mV range.
  5. Adjust T202 so that the distortion factor of L-CH and R-CH is minimized.
  6. Repeat steps 4 and 5.
- Note: The adjusting screwdriver used should be made of resin.



FM SIGNAL GENERATOR CONDITION  
 Modulation ..... 100%  
 Modulation frequency ..... 1 kHz  
 Output level ..... 66 dB

### MPX VCO ADJUSTMENT

1. Test equipment connection is shown in figure.
2. Set the unit to "on/auto" position.
3. Set the radio frequency display and signal generator to 100.10 MHz.
4. Adjust VR301 for 19 kHz  $\pm$  30 Hz on frequency counter reading.

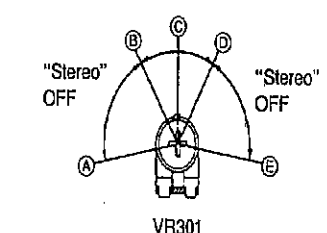


### USING ALTERNATE SYSTEM

1. Receive the stereo broadcast.
2. Adjust VR301 until stereo indicator lights up. Fix the arm of VR301 as shown in figure.

### FM SIGNAL GENERATOR CONDITION

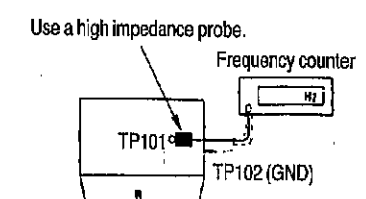
Modulation ..... 100%  
 Modulation frequency ..... 0 kHz  
 Output level ..... 66 dB



- Ⓐ-ⓐ, ⓑ-ⓔ ..... "Stereo" OFF position
- ⓑ-ⓔ ..... "Stereo" ON position (indicator lighting)
- Ⓒ ..... Adjust point of pilot circuit

### PLL CLOCK FREQUENCY ADJUSTMENT

1. Test equipment connection is shown in figure.
2. Set the Power Switch to "OFF". (The indication "E" in the display will blink.)
3. Adjust CT101 for 2,097,152 Hz  $\pm$  10 Hz on frequency counter reading.

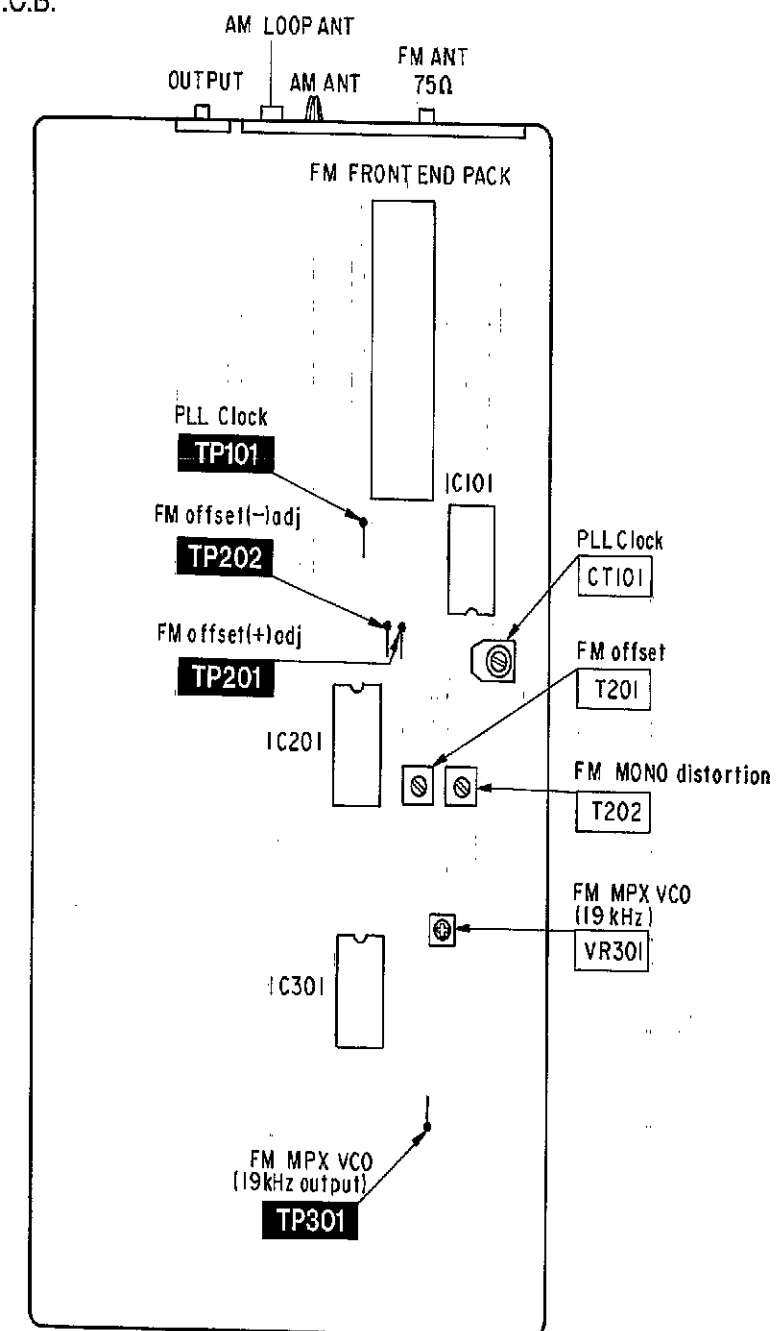


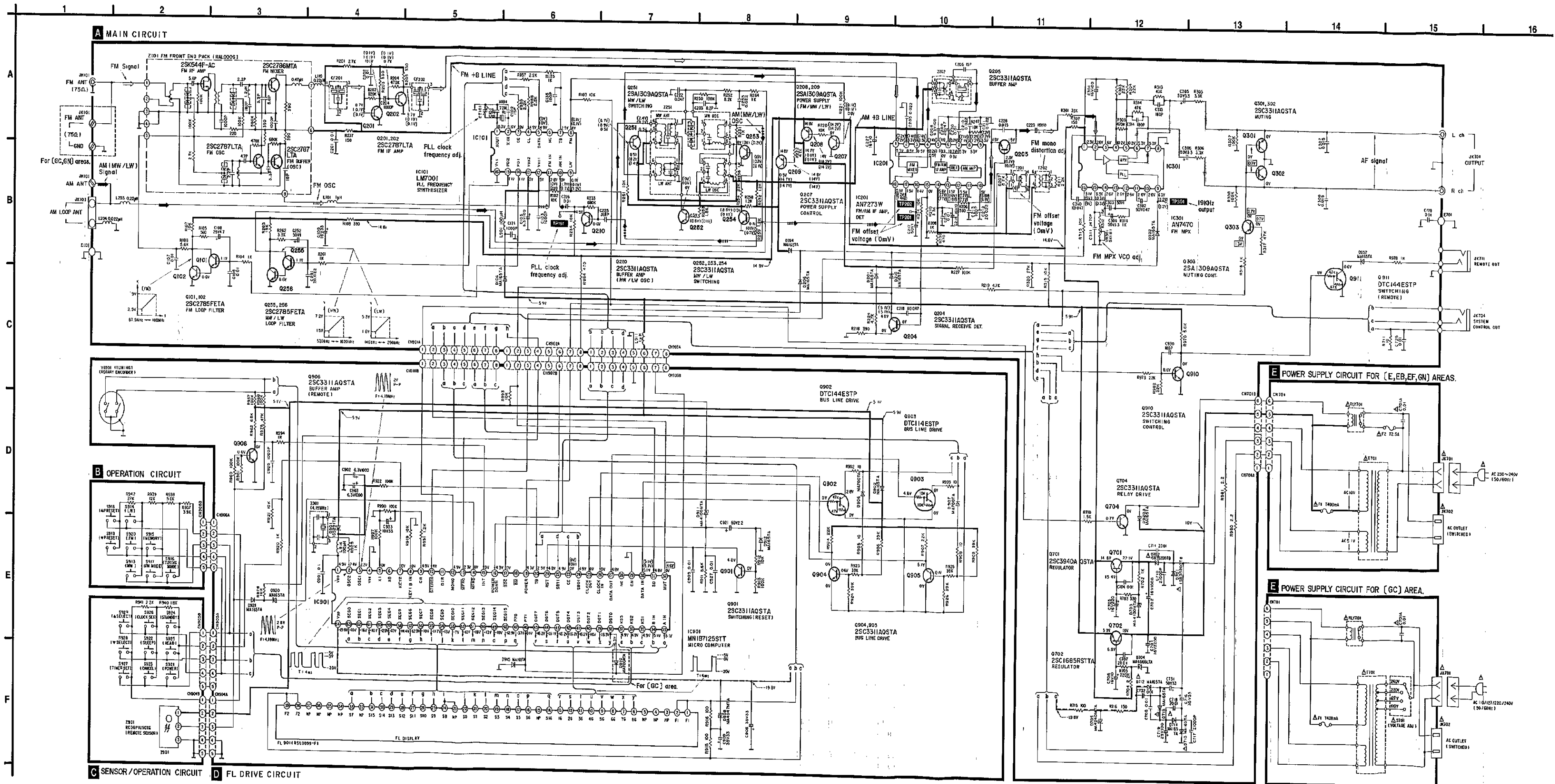
ST-X302L

ST-X302L

### ADJUSTMENT POINT

#### MAIN P.C.B.





(This schematic diagram may be modified at any time with the development of new technology.)

- Notes:**
- S701: Voltage select switch in "240 V" position. (110 V/127 V/220 V/240 V) for (GC) only
  - S913: Band select (MW) switch.
  - S914: Band select (LW) switch.
  - S915: Memory switch.
  - S916: Tuning mode select switch.
  - S917: FM mode select switch.
  - S918: Preset-channel (▲) switch.
  - S919: Preset-channel (▼) switch.
  - S920: Band select (FM) switch.
  - S921: Power switch.
  - S922: Sleep switch.
  - S923: Cancel switch.
  - S924: Stand-by switch.
  - S925: Read switch.
  - S926: Clock set switch.
  - S927: Timer set switch.
  - S928: Select (▼) switch.
  - S929: Select (▲) switch.

•Indicated voltage values are the standard values for the unit measured by the DC electronic circuit tester (high-impedance) with the chassis taken as standard. Therefore, there may exist some errors in the voltage values, depending on the internal impedance of the DC circuit tester.

- : MW voltage
- : LW voltage
- ◻ : muting voltage



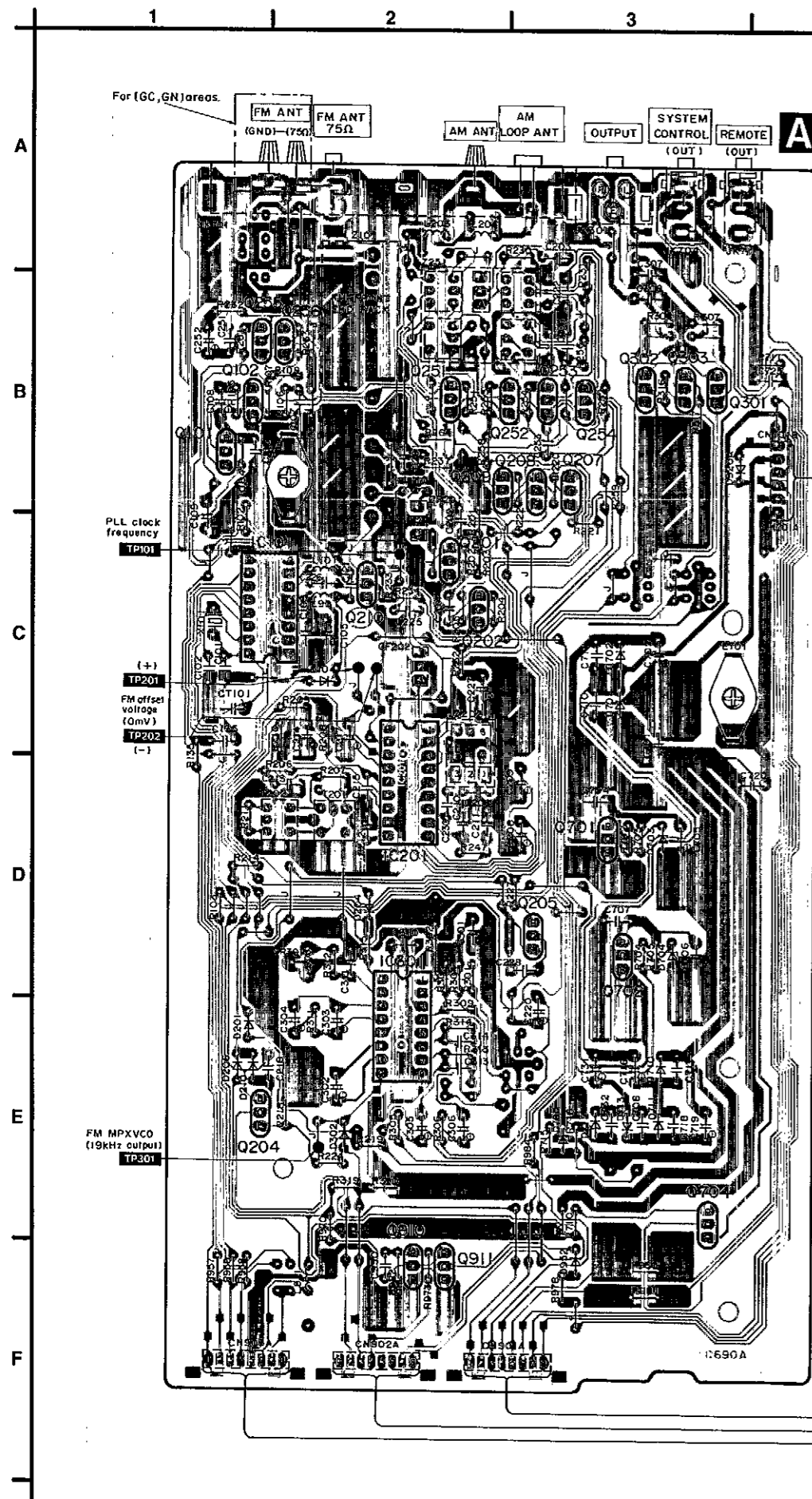
•Important safety notice  
Components identified by Δ mark have special characteristics important for safety. When replacing any of these components, use only manufacturer's specified parts.

- Caution!  
IC and LSI are sensitive to static electricity. Secondary trouble can be prevented by taking care during repair.
- Cover the parts boxes made of plastics with aluminum coil.
  - Ground the soldering iron.
  - Put a conductive mat on the work table.
  - Do not touch the legs of IC or LSI with the fingers directly.

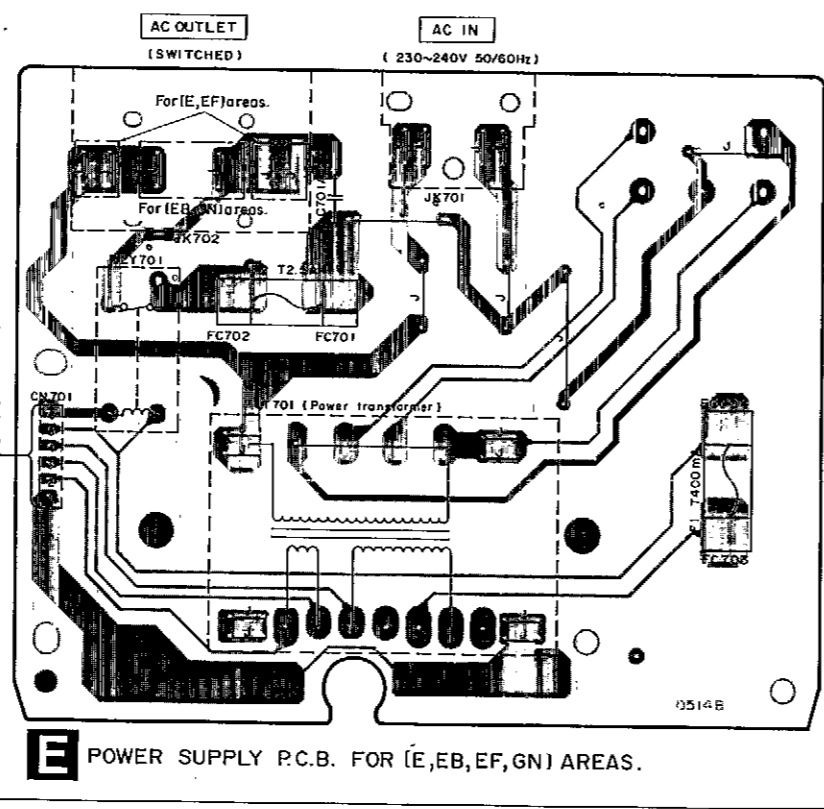
•The supply part number is described alone in the replacement parts list.

| Ref. No. | Production Part No. | Supply Part No. |
|----------|---------------------|-----------------|
| IC301    | AN7470              | SVIUPC1161C3    |

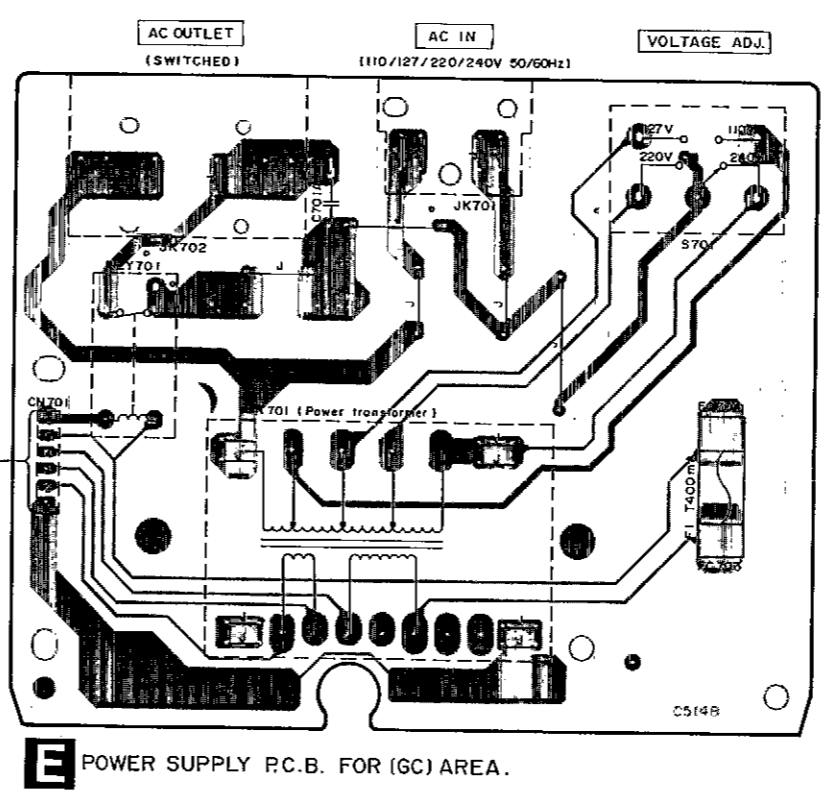
**■ CIRCUIT BOARDS AND WIRING CONNECTION DIAGRAM** (Parts list on pages 19~22.)



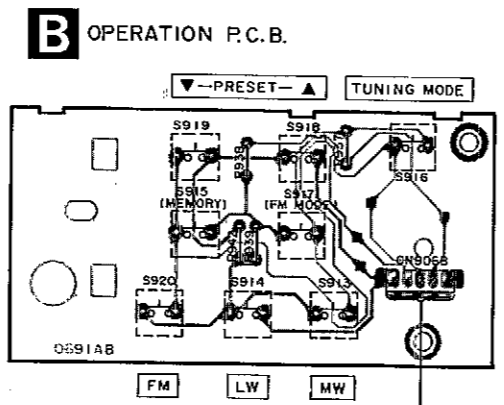
**A** MAIN P.C.B.



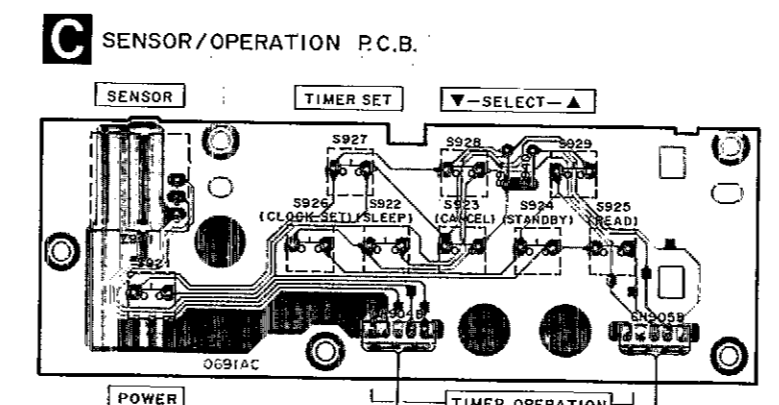
**E** POWER SUPPLY P.C.B. FOR (E,EB,EF,GN) AREAS.



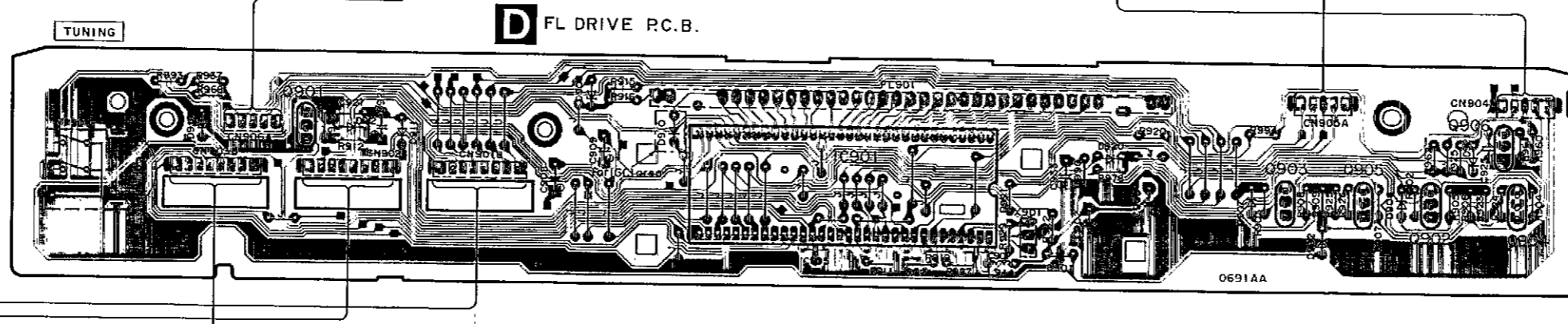
**E** POWER SUPPLY P.C.B. FOR (GC) AREA.



**B** OPERATION P.C.B.



**C** SENSOR/OPERATION P.C.B.

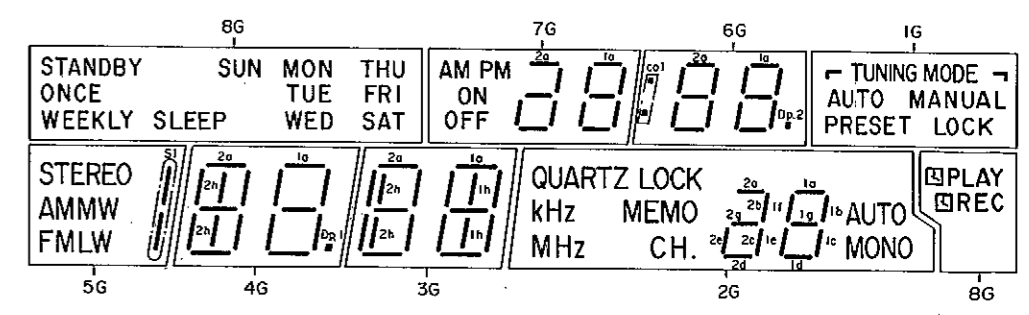


**D** FL DRIVE P.C.B.

**■ TERMINAL GUIDE OF IC'S, TRANSISTORS AND DIODES**

|  |   |  |   |  |  |
|--|---|--|---|--|--|
| <br>LM7001<br>16 pins                  | <br>AN7470<br>10 pins   | <br>AN7273W<br>16 pins   | <br>MN181125STT<br>33 pins                                  | <br>2SC1685RSTTA<br>3 pins                     | <br>2SC3940AQSTA<br>3 pins                     |
| <br>DTC114ESTP<br>DTC144ESTP<br>3 pins | <br>2SA1309AQSTA<br>2SC2785FETA<br>2SC2787LTA<br>2SC3311AQSTA<br>3 pins | <br>MA165TA<br>1SS291TA<br>1SR35200TB<br>MA700TA<br>Cathode<br>Anode | <br>MA4100MTA<br>MA4150MTA<br>MA4240MTA<br>Cathode<br>Anode | <br>MA4068LTA<br>MA4047MTA<br>Cathode<br>Anode | <br>MA4068LTA<br>MA4047MTA<br>Cathode<br>Anode |

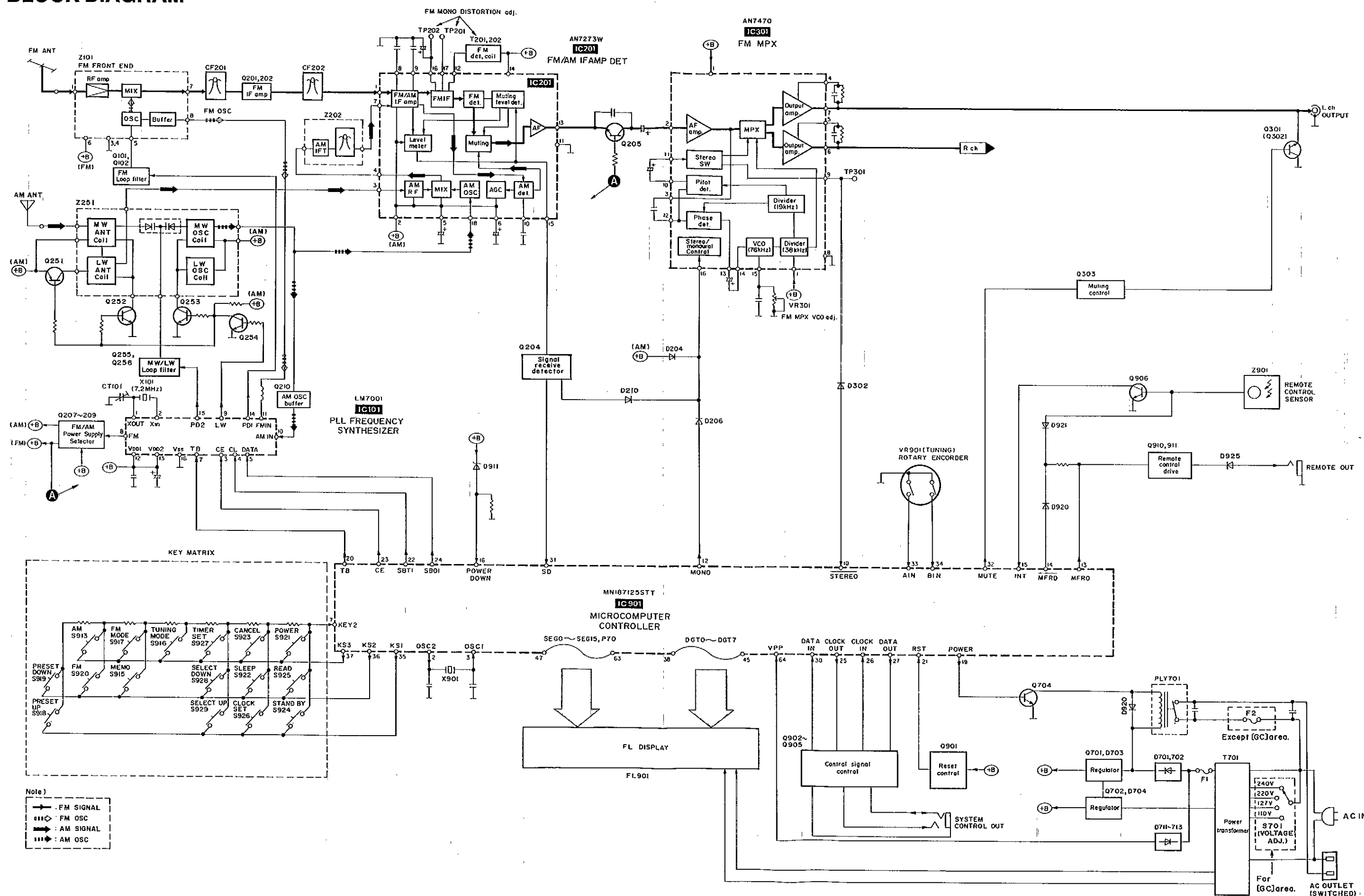
**■ DESCRIPTION OF FL PANEL**



**ANODE CONNECTION**

|    | 8G      | 7G             | 6G  | 5G     | 4G | 3G | 2G             | 1G          |
|----|---------|----------------|-----|--------|----|----|----------------|-------------|
| P0 | SLEEP   | AM             | 2d  | LW     | 2d | 2d | CH.            | LOCK        |
| P1 | —       | PM             | 2e  | FM     | 2e | 2e | MHz            | —           |
| P2 | WEEKLY  | 2c             | 2c  | AM     | 2c | 2c | KHz            | MANUAL      |
| P3 | —       | —              | 2g  | MW     | 2g | 2g | 2a, 2d, 2e, 2g | —           |
| P4 | ONCE    | —              | 2f  | —      | 2f | 2f | MEMO           | —           |
| P5 | —       | 2b             | 2b  | —      | 2b | 2b | AUTO           | AUTO        |
| P6 | STANDBY | 2a, 2d, 2e, 2g | 2a  | STEREO | 2a | 2a | QUARTZ LOCK    | PRESET      |
| P7 | PLAY    | ON             | col | S1     | 2h | 2h | 2b             | TUNING MODE |
| P8 | WED     | 1d             | 1d  | —      | 1d | 1d | 1d             | —           |
| P9 | SAT     | 1e             | 1e  | —      | 1e | 1e | 1e             |             |

■ BLOCK DIAGRAM



■ FUNCTIONS OF IC TERMINALS (IC901: MN187125STT)

| Pin No. | Mark       | I/O Division | Function                               |
|---------|------------|--------------|--|
| 1       | VDD        | I            | Power supply (connected to +5 V)       |
| 2       | OSC2       | O            | Clock (4.19 MHz)                       |
| 3       | OSC1       | I            | Clock (32.768 kHz)                     |
| 4       | VSS        | —            | GND                                    |
| 5       | XI         | I            | Clock (32.768 kHz)                     |
| 6       | XO         | O            | Clock (32.768 kHz)                     |
| 7       | KEY2       | I            | Key data input terminal                |
| 8       | KEY1       | I            | Key data input terminal                |
| 9       | SD         | I            | SD signal terminal                     |
| 10      | STEREO     | I            | STEREO signal terminal                 |
| 11      | DIR        | O            | Tape deck drive signal terminal        |
| 12      | P22        | O            | Reset                                  |
| 13      | MFR0       | O            | Remote control signal terminal         |
| 14      | MFRD       | I            | Remote control signal detect terminal  |
| 15      | REMOTE     | I            | Remote control signal terminal         |
| 16      | Power Down | I            | Power failure detect terminal          |
| 17      | SDC        | O            | Tuner select signal output terminal    |
| 18      | MPD        | I            | Mechanical power signal input terminal |
| 19      | POWER      | O            | Relay drive signal output terminal     |
| 20      | TCIO       | I            | 4.19 MHz Test terminal                 |
| 21      | RST        | I            | Reset terminal                         |
| 22      | SBT1       | O            | Data output for IC101 (LM7001)         |
| 23      | CE         | O            |  |
| 24      | SBO1       | O            |  |
| 25      | BUS CK1    | O            |  |
| 26      | BUS CK2    | O            | Clock output                           |
| 27      | BUS DATA   | O            | Data output                            |
| 28      | NC         | —            | —                                      |
| 29      | CM         | —            | GND                                    |
| 30      | BUS DATA2  | I            | Data input                             |
| 31      | MONO       | O            | Auto/mono changeover terminal          |
| 32      | MUTE       | O            | Mute signal terminal                   |
| 33      | A IN       | I            | Rotary pulse input terminal            |
| 34      | B IN       | I            | Rotary pulse input terminal            |
| 35      | KS1        | O            | Key matrix                             |
| 36      | KS2        |              |  |
| 37      | KS3        |              |  |
| 38      | DGT0       | O            | Digital signal terminal for display    |
| 45      | DGT7       | O            | Digital signal terminal for display    |
| 46      | P71        | I            | Reset                                  |
| 47      | P70        | O            | Segment signal terminal for display    |
| 63      | SEG15      |              |  |
| 63      | SEG0       | O            | Segment signal terminal for display    |
| 64      | VPP        | —            | Common signal terminal for display     |



# REPLACEMENT PARTS LIST

Notes : \* Important safety notice:

Components identified by  $\Delta$  mark have special characteristics important for safety. When replacing any of these components use only manufacturer's specified parts.

\* The parenthesized indications in the Remarks columns specify the areas. (Refer to the cover page for area.) Parts without these indications can be used for all areas.

\* Remote Control Ass'y:

Supply period for three years from termination of production.

| Ref. No.  | Part No.     | Part Name & Description     | Remarks  | Ref. No.   | Part No.     | Part Name & Description   | Remarks              |
|-----------|--------------|-----------------------------|----------|------------|--------------|---------------------------|----------------------|
|           |              | INTEGRATED CIRCUIT (S)      |          | D906, 907  | MA700TA      | DIODE                     |                      |
|           |              |                             |          | D908       | MA4047MTA    | DIODE                     |                      |
|           |              |                             |          | D910       | MA700ATA     | DIODE                     | (GC)                 |
| IC101     | LM7001       | I. C, PLL FREQ. SYNTHESIZER |          | D911       | MA4100MTA    | DIODE                     |                      |
| IC201     | AN7273W      | I. C, FM/AM IF AMP. DET.    |          | D912       | MA165        | DIODE                     |                      |
| IC301     | SVIUPC1161C3 | I. C, FM MPX                |          | D915       | MA165        | DIODE                     |                      |
| IC901     | MN187125STT  | I. C, CONTROLLER            |          | D920       | MA165        | DIODE                     |                      |
|           |              | TRANSISTOR (S)              |          | D920A      | MA165        | DIODE                     |                      |
|           |              |                             |          | D921       | MA165        | DIODE                     |                      |
|           |              |                             |          | D952       | MA165        | DIODE                     |                      |
| Q101, 102 | 2SC2785FE    | TRANSISTOR                  |          |            |              | VARIABLE RESISTOR (S)     |                      |
| Q201, 202 | 2SC2787L     | TRANSISTOR                  |          |            |              |                           |                      |
| Q204, 205 | 2SC3311A-Q   | TRANSISTOR                  |          | VR301      | EVNDXAA00B53 | V. R, FM MPX VCO ADJ.     |                      |
| Q207      | 2SC3311A-Q   | TRANSISTOR                  |          | VR901      | EVQHQ102224B | V. R, ROTARY ENCODER      |                      |
| Q208, 209 | 2SA1309A-R   | TRANSISTOR                  |          |            |              | COMPONENT COMBINATION (S) |                      |
| Q210      | 2SC3311A-Q   | TRANSISTOR                  |          |            |              |                           |                      |
| Q251      | 2SA1309A-R   | TRANSISTOR                  |          | Z101       | RAL0006      | COMPONENT COMBINATION     |                      |
| Q252-254  | 2SC3311A-Q   | TRANSISTOR                  |          | Z202       | RL122003M-T  | COMPONENT COMBINATION     |                      |
| Q255, 256 | 2SC2785FE    | TRANSISTOR                  |          | Z251       | RLA62002M-T  | COMPONENT COMBINATION     |                      |
| Q301, 302 | 2SC3311A-Q   | TRANSISTOR                  |          | Z901       | RCDO001-1    | REMOTE SENSOR             |                      |
| Q303      | 2SA1309A-R   | TRANSISTOR                  |          |            |              | COIL (S)                  |                      |
| Q701      | 2SC3940AQSTA | TRANSISTOR                  |          |            |              |                           |                      |
| Q702      | 2SC1685RSTTA | TRANSISTOR                  |          | L101       | ELEXT1R0KA9  | COIL                      |                      |
| Q704      | 2SC3311A-Q   | TRANSISTOR                  |          | L110       | ELEXT22MA9   | COIL                      |                      |
| Q901      | 2SC3311A-Q   | TRANSISTOR                  |          | L203, 204  | ELESNR22MA   | COIL                      |                      |
| Q902      | DTC144EKT96  | TRANSISTOR * Sec Tlx        |          | L901       | ELEXT101KA9  | COIL                      |                      |
| Q903      | DTC114ESTP   | TRANSISTOR                  |          | L911       | ELEXT1R0KA9  | COIL                      |                      |
| Q904-906  | 2SC3311A-Q   | TRANSISTOR                  |          | L914       | ELEXT101KA9  | COIL                      |                      |
| Q910      | 2SC3311A-Q   | TRANSISTOR                  |          |            |              | TRANSFORMER (S)           |                      |
| Q911      | DTC144EKT96  | TRANSISTOR                  |          |            |              |                           |                      |
|           |              | DIODE (S)                   |          | T201       | RL14B002M-Z  | TRANSFORMER               |                      |
|           |              |                             |          | T202       | RL14B003M-Z  | TRANSFORMER               |                      |
| D104      | MA165        | DIODE                       |          | T701       | RFKCTX302LEK | POWER TRANSFORMER         | $\Delta$ (E, EB, GN) |
| D201      | MA165        | DIODE                       |          | T701       | RFKCTX302LGC | POWER TRANSFORMER         | $\Delta$ (GC)        |
| D204      | MA165        | DIODE                       |          |            |              | FILTER (S)                |                      |
| D206      | MA165        | DIODE                       |          |            |              |                           |                      |
| D210      | MA165        | DIODE                       |          | CF201, 202 | RLFFETWNA01L | CERAMIC FILTER            |                      |
| D302      | MA165        | DIODE                       |          |            |              | OSCILLATOR (S)            |                      |
| D701, 702 | 1SR35200TB   | DIODE                       | $\Delta$ |            |              |                           |                      |
| D703      | MA4150M      | DIODE                       |          | X101       | SVQ49U722-S  | OSCILLATOR                |                      |
| D704      | MA4068L      | DIODE                       |          |            |              |                           |                      |
| D705      | MA4240H      | DIODE                       |          |            |              |                           |                      |
| D710-713  | MA165        | DIODE                       | $\Delta$ |            |              |                           |                      |
| D901      | 1SS291TA     | DIODE                       |          |            |              |                           |                      |
| D902      | MA165        | DIODE                       |          |            |              |                           |                      |

| Ref. No. | Part No.     | Part Name & Description | Remarks | Ref. No. | Part No.    | Part Name & Description    | Remarks       |
|----------|--------------|-------------------------|---------|----------|-------------|----------------------------|---------------|
| X901     | EFOGC4194T4  | OSCILLATOR              |         | FC702    | EYF52BC     | FUSE HOLDER                |               |
|          |              | DISPLAY                 |         | FC703    | EYF52BC     | FUSE HOLDER                | (E, EB, GN)   |
| FL901    | RSL0099-F    | DISPLAY                 |         | FC704    | EYF52BC     | FUSE HOLDER                | (E, EB, GN)   |
|          |              | SWITCH(ES)              |         |          |             | RELAY(S)                   |               |
| S701     | SSR187-1     | SW, VOLTAGE SELECTOR    | △ (GC)  | RLY701   | RSY0005M-1C | RELAY                      | △             |
| S913     | EVQ21405R    | SW, MW                  |         |          |             | JACK(S)                    |               |
| S914     | EVQ21405R    | SW, LW                  |         | JK101    | RJH4202M    | ANTENNA TERMINAL           | (E, EB)       |
| S915     | EVQ21405R    | SW, MEMORY              |         | JK101    | RJH4405-1M  | ANTENNA TERMINAL           | (GC, GN)      |
| S916     | EVQ21405R    | SW, TUNING MODE         |         | JK301    | SJF3068-5N  | OUTPUT                     |               |
| S917     | EVQ21405R    | SW, MODE                |         | JK701    | SJS9236     | AC INLET                   | △ (E, EB, GC) |
| S918     | EVQ21405R    | SW, UP                  |         | JK701    | SJSD16      | AC INLET                   | △ (GN)        |
| S919     | EVQ21405R    | SW, DOWN                |         | JK702    | RJS1A4902-B | AC OUTLET                  | △ (E)         |
| S920     | EVQ21405R    | SW, FM                  |         | JK702    | RJS1A4802-B | AC OUTLET                  | △ (EB)        |
| S921     | EVQ21405R    | SW, POWER               |         | JK702    | SJS9331B    | AC OUTLET                  | △ (GC)        |
| S922     | EVQ21405R    | SW, SLEEP               |         | JK702    | RJS1A8102   | AC OUTLET                  | △ (GN)        |
| S923     | EVQ21405R    | SW, CANCEL              |         | JK704    | RJJ33T01    | M3 JACK (SYSTEM CONT. OUT) |               |
| S924     | EVQ21405R    | SW, STANDBY             |         | JK711    | RJJ33TR01   | M3 JACK (REMOTE OUT)       |               |
| S925     | EVQ21405R    | SW, READ                |         |          |             | FUSE(S)                    |               |
| S926     | EVQ21405R    | SW, CLOCK SET           |         |          |             |                            |               |
| S927     | EVQ21405R    | SW, TIMER SET           |         | F1       | XBA2C04TB0  | FUSE, 250V 0.4A            | △             |
| S928     | EVQ21405R    | SW, DOWN                |         | F2       | XBA2C25TB0  | FUSE, 250V 2.5A            | △ (E, EB, GN) |
| S929     | EVQ21405R    | SW, UP                  |         |          |             |                            |               |
|          |              | CONNECTOR(S)            |         |          |             |                            |               |
| CN701    | SJT30643-V   | CONNECTOR (6P)          |         |          |             |                            |               |
| CN701A   | RJS1A1703    | SOCKET (3P)             |         |          |             |                            |               |
| CN901A   | RJU003K008M1 | SOCKET (8P)             |         |          |             |                            |               |
| CN902A   | RJU003K008M1 | SOCKET (8P)             |         |          |             |                            |               |
| CN903A   | RJU003K008M1 | SOCKET (8P)             |         |          |             |                            |               |
| CN904A   | SJT30549BB1  | CONNECTOR (5P)          |         |          |             |                            |               |
| CN905A   | SJT30549BB1  | CONNECTOR (5P)          |         |          |             |                            |               |
| CN906A   | SJT30549BB1  | CONNECTOR (5P)          |         |          |             |                            |               |
| CN701B   | RJS1A1703    | CONNECTOR (3P)          |         |          |             |                            |               |
| CN901B   | RJT003K008M1 | CONNECTOR (8P)          |         |          |             |                            |               |
| CN902B   | RJT003K008M1 | CONNECTOR (8P)          |         |          |             |                            |               |
| CN903B   | RJT003K008M1 | CONNECTOR (8P)          |         |          |             |                            |               |
| CN904B   | SJS50581BB   | SOCKET (5P)             |         |          |             |                            |               |
| CN905B   | SJS50581BB   | SOCKET (5P)             |         |          |             |                            |               |
| CN906B   | SJS50581BB   | SOCKET (5P)             |         |          |             |                            |               |
|          |              | VARIABLE CAPACITOR(S)   |         |          |             |                            |               |
| CT101    | RCV10AF1T-S  | VARIABLE CAPACITOR      |         |          |             |                            |               |
|          |              | FUSE HOLDER(S)          |         |          |             |                            |               |
| FC701    | EYF52BC      | FUSE HOLDER             |         |          |             |                            |               |

PRINTED ON: 09-Jun-92 07:54

MSG PA 40192 1

TO : UKNPB

TITLE : BLD055 92/06/09 06:2

FROM : TELEX PRIMEX

DN: 09-Jun-92 07:28

ZCZC BLD055 92/06/09 06:268 S109358606091530

UKNPB

.JPSAHME GAH2204 EMS3042 92/06/09 15:30J UKA9371 92/06/09 15:28J

SUBJECT: RE: P/N DTC144EKT96/ARG482 JUN-08

ATT: MR. JON MORRIS/SPARES PUK

1) UR TLX NTD.

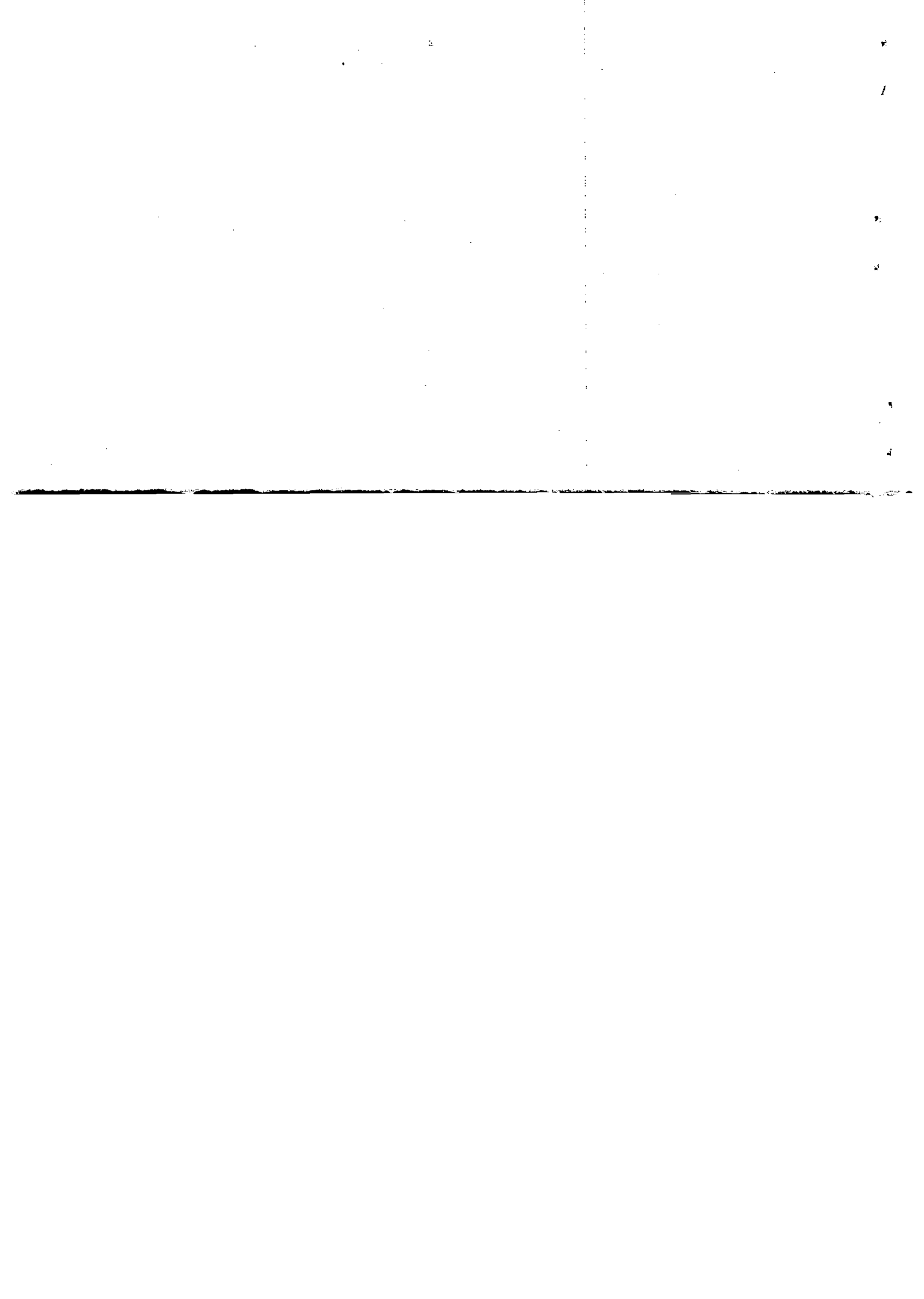
2) AFTER CHKNG FCTRY STOCK Y ENG/SECT, P/N DTC144EKT96 IS CHIP TYPE  
TRANSISTOR (SURFACE MOUNT).

PS : STANDARD MOUNT TYPE P/N IS DTC144ES, DTC144WSTP --ETC.

B. RGOS

ROTAGAWA/AD-PRT SECT

NNNN



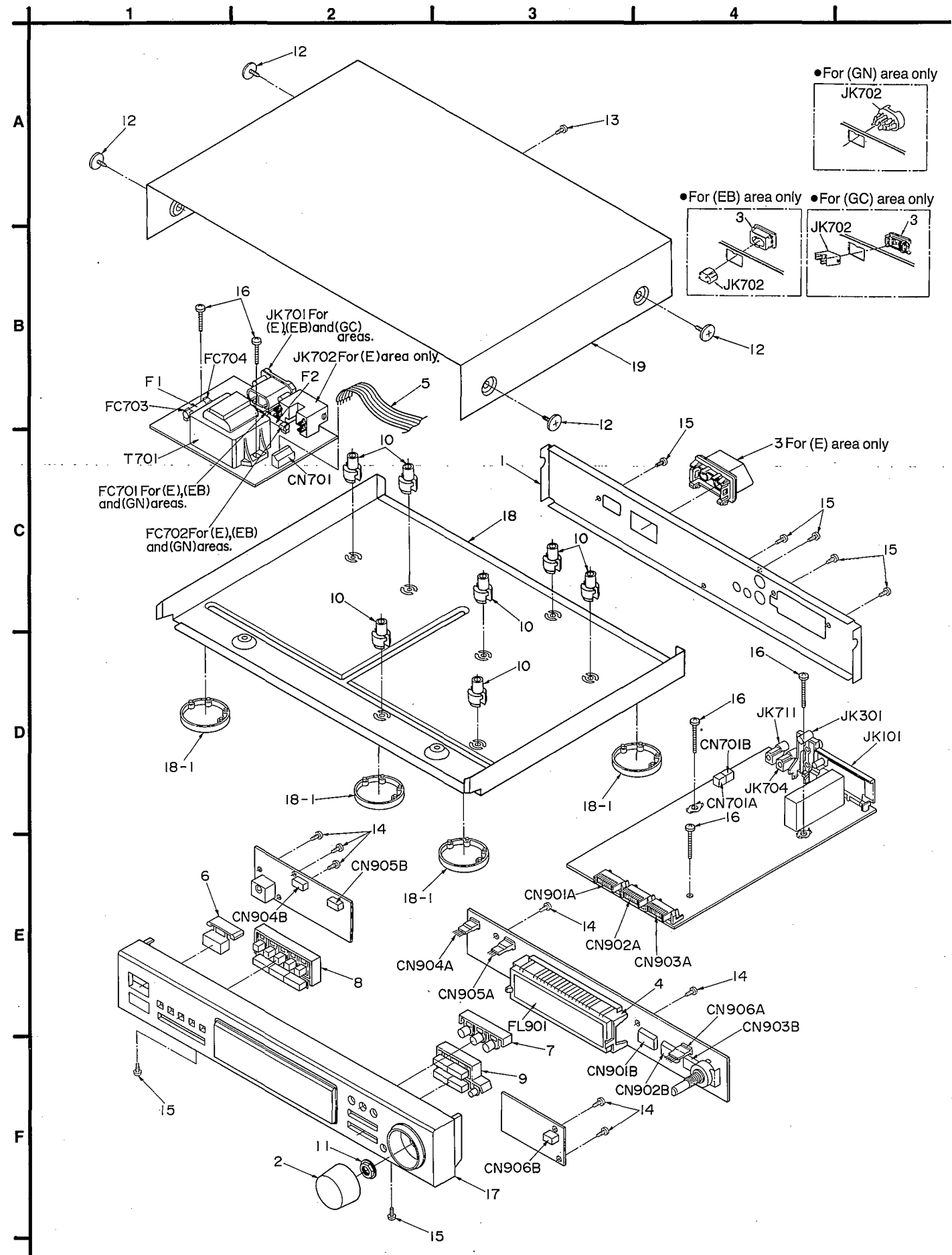
Notes : \* Capacity value are in microfarads (uF) unless specified otherwise, P=Pico-farads (pF) F=Farads (F)  
 \* Resistance values are in ohms, unless specified otherwise, 1K=1,000 (OHM) , 1M=1,000k(OHM)

| Ref. No.  | Part No.    | Values & Remarks | Ref. No.  | Part No.    | Values & Remarks | Ref. No.  | Part No.     | Values & Remarks |
|-----------|-------------|------------------|-----------|-------------|------------------|-----------|--------------|------------------|
|           |             | RESISTORS        |           |             |                  |           |              |                  |
| R102, 103 | ERDS2TJ103  | 1/4W 10K         | R305, 306 | ERDS2TJ332  | 1/4W 3.3K        | R975      | ERDS2TJ473   | 1/4W 47K         |
| R104      | ERDS2TJ102  | 1/4W 1K          | R307, 308 | ERDS2TJ104  | 1/4W 100K        | R976      | ERDS2TJ103   | 1/4W 10K         |
| R105      | ERDS2TJ561  | 1/4W 560         | R309      | ERDS2TJ474  | 1/4W 470K        | R978      | ERDS2TJ102   | 1/4W 1K          |
| R106      | ERDS2TJ562  | 1/4W 5.6K        | R311      | ERDS2TJ102  | 1/4W 1K          | R980, 981 | ERDS2TJ2R2T  | 1/4W 2.2         |
| R107      | ERDS2TJ103  | 1/4W 10K         | R312      | ERDS2TJ153  | 1/4W 15K         | R982      | ERDS2TJ223   | 1/4W 22K         |
| R108      | ERDS2TJ391  | 1/4W 390         | R313, 314 | ERDS2TJ473  | 1/4W 47K         | R984      | ERDS2TJ471   | 1/4W 470         |
| R135      | ERDS2TJ102  | 1/4W 1K          | R315      | ERDS2TJ103  | 1/4W 10K         | R990      | ERDS2TJ104   | 1/4W 100K        |
| R201      | ERDS2TJ272T | 1/4W 2.7K        | R316      | ERDS2TJ102  | 1/4W 1K          | R991      | ERDS2TJ122   | 1/4W 1.2K        |
| R202      | ERDS2TJ824  | 1/4W 820K        | R317      | ERDS2TJ473  | 1/4W 47K         | R993      | ERDS2TJ103   | 1/4W 10K         |
| R203      | ERDS2TJ331  | 1/4W 330         | R319      | ERDS2TJ103  | 1/4W 10K         | R994      | ERDS2TJ102   | 1/4W 1K          |
| R204      | ERDS2TJ474  | 1/4W 470K        | R320      | ERDS2TJ273  | 1/4W 27K         |           |              | CAPACITORS       |
| R205      | ERDS2TJ331  | 1/4W 330         | R702      | ERDS2TJ102  | 1/4W 1K          | C101      | ECBT1H8R2KC5 | 50V 8.2P         |
| R206      | ERDS2TJ561  | 1/4W 560         | R703      | ERDS2TJ331  | 1/4W 330         | C102      | ECBT1H150JC5 | 50V 15P          |
| R207      | ERDS2TJ822  | 1/4W 8.2K        | R704      | ERDS2TJ222  | 1/4W 2.2K        | C103      | ECBT1H102KB5 | 50V 1000P        |
| R208      | ERDS2TJ102  | 1/4W 1K          | R705      | ERDS2TJ221  | 1/4W 220         | C105      | ECEA0JKA101B | 6.3V 100U        |
| R209      | ERDS2TJ471  | 1/4W 470         | R710      | ERDS2TJ152  | 1/4W 1.5K        | C106, 107 | ECBT1C103NS5 | 16V 0.01U        |
| R210      | ERDS2TJ332  | 1/4W 3.3K        | R711      | ERDS2TJ100  | 1/4W 10          | C108      | ECEA25M4R7R  | 25V 4.7U         |
| R211      | ERDS2TJ222  | 1/4W 2.2K        | R715      | ERDS2TJ101  | 1/4W 100         | C109      | ECEA1CKA330B | 16V 33U          |
| R214      | ERDS2TJ103  | 1/4W 10K         | R716      | ERDS2TJ151  | 1/4W 150         | C121      | ECBT1H102KB5 | 50V 1000P        |
| R218      | ERDS2TJ391  | 1/4W 390         | R902, 903 | ERDS2TJ100  | 1/4W 10          | C135      | ECBT1H101KB5 | 50V 100P         |
| R219      | ERDS2TJ472  | 1/4W 4.7K        | R904      | ERDS2TJ223  | 1/4W 22K         | C201, 202 | ECBT1C103NS5 | 16V 0.01U        |
| R220      | ERDS2TJ103  | 1/4W 10K         | R905      | ERDS2TJ100  | 1/4W 10          | C203      | ECBT1H8R2KC5 | 50V 8.2P         |
| R221      | ERDS2TJ104  | 1/4W 100K        | R906      | ERDS2TJ393  | 1/4W 39K         | C204      | ECBT1H102KB5 | 50V 1000P        |
| R222      | ERDS2TJ473  | 1/4W 47K         | R907      | ERDS2TJ223  | 1/4W 22K         | C205      | ECKT1H223ZF  | 50V 0.022U       |
| R224      | ERDS2TJ472  | 1/4W 4.7K        | R908      | ERDS2TJ100  | 1/4W 10          | C206      | ECBT1H150JC5 | 50V 15P          |
| R227      | ERDS2TJ104  | 1/4W 100K        | R909      | ERDS2TJ393  | 1/4W 39K         | C208      | ECEA0JKA101B | 6.3V 100U        |
| R230      | ERDS2TJ104  | 1/4W 100K        | R911      | ERDS2TJ562  | 1/4W 5.6K        | C209      | ECEA1EKA4R7B | 25V 4.7U         |
| R231      | ERDS2TJ102  | 1/4W 1K          | R912      | ERDS2TJ103  | 1/4W 10K         | C210, 211 | ECKT1H223ZF  | 50V 0.022U       |
| R232      | ERDS2TJ122  | 1/4W 1.2K        | R913      | ERDS2TJ104  | 1/4W 100K        | C212      | ECBT1E223ZF  | 25V 0.022U       |
| R233      | ERDS2TJ684  | 1/4W 680K        | R915, 916 | ERDS2TJ101  | 1/4W 100         | C213      | ECBT1H101KB5 | 50V 100P         |
| R234      | ERDS2TJ103  | 1/4W 10K         | R919      | ERDS2TJ103  | 1/4W 10K         | C214      | ECEA1CKA100B | 16V 10U          |
| R237      | ERDS2TJ151  | 1/4W 150         | R920      | ERDS2TJ102  | 1/4W 1K          | C215      | ECBT1C103NS5 | 16V 0.01U        |
| R247      | ERDS2TJ103  | 1/4W 10K         | R921      | ERDS2TJ103  | 1/4W 10K         | C217      | ECEA1HKA010B | 50V 1U           |
| R251      | ERDS2TJ103  | 1/4W 10K         | R922      | ERDS2TJ104  | 1/4W 100K        | C218      | ECFR1E473KR  | 25V 0.047U       |
| R252      | ERDS2TJ822  | 1/4W 8.2K        | R923-926  | ERDS2TJ393  | 1/4W 39K         | C220      | ECEA1CKA100B | 16V 10U          |
| R253      | ERDS2TJ182  | 1/4W 1.8K        | R927      | ERDS2TJ104  | 1/4W 100K        | C222      | ECFR1E473KR  | 25V 0.047U       |
| R254      | ERDS2TJ223  | 1/4W 22K         | R929      | ERDS2TJ102  | 1/4W 1K          | C225      | ECBT1H180JC5 | 50V 18P          |
| R256      | ERDS2TJ102  | 1/4W 1K          | R937      | ERDS2TJ392T | 1/4W 3.9K        | C226      | ECBT1C103NS5 | 16V 0.01U        |
| R258, 259 | ERDS2TJ122  | 1/4W 1.2K        | R938      | ERDS2TJ562  | 1/4W 5.6K        | C227      | ECEA1CKA100B | 16V 10U          |
| R261      | ERDS2TJ102  | 1/4W 1K          | R939      | ERDS2TJ123  | 1/4W 12K         | C228      | ECFR1E153KR  | 25V 0.015U       |
| R262      | ERDS2TJ332  | 1/4W 3.3K        | R940      | ERDS2TJ182  | 1/4W 1.8K        | C230      | ECBT1C103NS5 | 16V 0.01U        |
| R263      | ERDS2TJ153  | 1/4W 15K         | R941      | ERDS2TJ222  | 1/4W 2.2K        | C251      | ECBT1E223ZF  | 25V 0.022U       |
| R264      | ERDS2TJ102  | 1/4W 1K          | R942      | ERDS2TJ273  | 1/4W 27K         | C252      | ECEA1HKA010B | 50V 1U           |
| R301      | ERDS2TJ393  | 1/4W 39K         | R957-959  | ERDS2TJ222  | 1/4W 2.2K        | C253      | ECBT1E223ZF  | 25V 0.022U       |
| R302      | ERDS2TJ151  | 1/4W 150         | R960, 961 | ERDS2TJ104  | 1/4W 100K        | C301      | ECEA1CKA101B | 16V 100U         |
| R303, 304 | ERDS2TJ223  | 1/4W 22K         | R962      | ERDS2TJ682T | 1/4W 6.8K        | C302      | ECEA1HKA47B  | 50V 0.47U        |
|           |             |                  | R967, 968 | ERDS2TJ104  | 1/4W 100K        | C303      | ECEA1HKA010B | 50V 1U           |
|           |             |                  | R970      | ERDS2TJ562  | 1/4W 5.6K        |           |              |                  |
|           |             |                  | R973      | ERDS2TJ223  | 1/4W 22K         |           |              |                  |

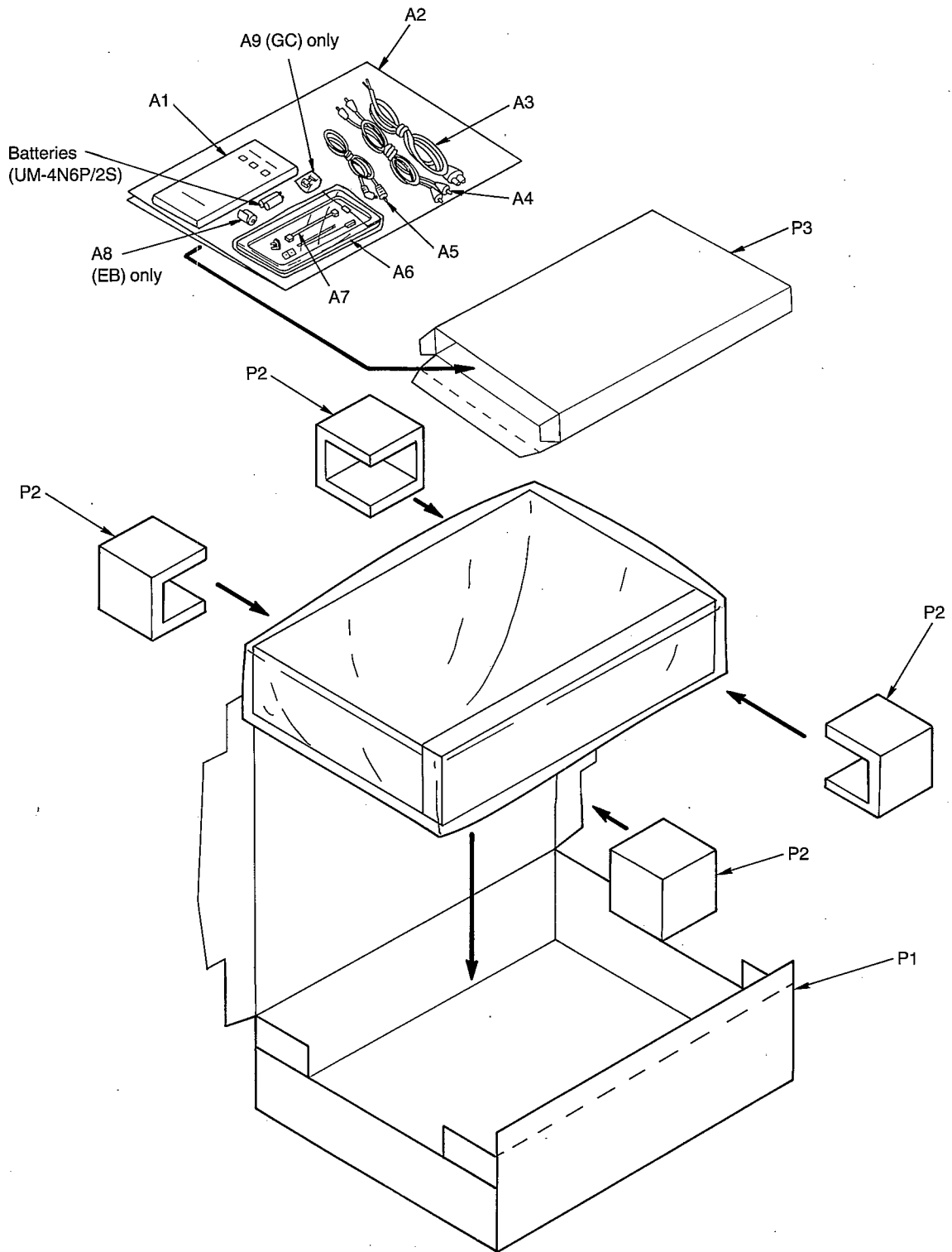
| Ref. No.  | Part No.     | Values & Remarks |  |  |  |  |  |  |
|-----------|--------------|------------------|--|--|--|--|--|--|
| C304-306  | ECEA1HKA3R3B | 50V 3.3U         |  |  |  |  |  |  |
| C307, 308 | ECFR1E153KR  | 25V 0.015U       |  |  |  |  |  |  |
| C310      | ECFR1E473KR  | 25V 0.047U       |  |  |  |  |  |  |
| C311      | ECQP1471JZ   | 50V 470P         |  |  |  |  |  |  |
| C313, 314 | ECBT1H181KB5 | 50V 180P         |  |  |  |  |  |  |
| C701      | ECA1CM222B   | 16V 2200P        |  |  |  |  |  |  |
| C701A Δ   | ECKWNS103ZVS | 500V 0.01U       |  |  |  |  |  |  |
| C702      | ECA1CM102B   | 16V 1000P        |  |  |  |  |  |  |
| C704      | ECKR1H103ZF5 | 50V 0.01U        |  |  |  |  |  |  |
| C705      | ECA1CM221B   | 16V 220P         |  |  |  |  |  |  |
| C706      | ECEA1CKA100B | 16V 10U          |  |  |  |  |  |  |
| C707, 708 | ECKR1H103ZF5 | 50V 0.01U        |  |  |  |  |  |  |
| C710      | ECKR2H102ZF5 | 500V 1000P       |  |  |  |  |  |  |
| C711      | ECKR1H103ZF5 | 50V 0.01U        |  |  |  |  |  |  |
| C716      | ECEA1VKA330B | 35V 33U          |  |  |  |  |  |  |
| C717      | ECKR2H102ZF5 | 500V 1000P       |  |  |  |  |  |  |
| C718      | ECKR1H103ZF5 | 50V 0.01U        |  |  |  |  |  |  |
| C719      | ECA1EM101B   | 25V 100U         |  |  |  |  |  |  |
| C720      | ECKR1H103ZF5 | 50V 0.01U        |  |  |  |  |  |  |
| C725      | ECKR1H103ZF5 | 50V 0.01U        |  |  |  |  |  |  |
| C731      | ECEA1HKA330Q | 50V 33U          |  |  |  |  |  |  |
| C732      | ECKR1H103ZF5 | 50V 0.01U        |  |  |  |  |  |  |
| C901      | ECBT1H104ZF5 | 50V 0.1U         |  |  |  |  |  |  |
| C902, 903 | ECEA0JU102   | 6.3V 1000U       |  |  |  |  |  |  |
| C905      | ECBT1C103NS5 | 16V 0.01U        |  |  |  |  |  |  |
| C908, 909 | ECEA1VKA330B | 35V 33U          |  |  |  |  |  |  |
| C921      | ECEA1HKA2R2B | 50V 2.2U         |  |  |  |  |  |  |
| C925      | ECBT1H102KB5 | 50V 1000P        |  |  |  |  |  |  |
| C927      | ECBT1C103NS5 | 16V 0.01U        |  |  |  |  |  |  |
| C930      | ECBT1H181KB5 | 50V 180P         |  |  |  |  |  |  |
| C933      | ECEA1AKA330B | 10V 33U          |  |  |  |  |  |  |

■ CABINET PARTS LOCATION

| Ref. No. | Part No.     | Part Name & Description   | Remarks  | Ref. No. | Part No.   | Part Name & Description | Remarks  |
|----------|--------------|---------------------------|----------|----------|------------|-------------------------|----------|
|          |              | CABINET PARTS             |          | A3       | SJA193     | AC POWER SUPPLY CORD    | △ (EB)   |
|          |              |                           |          | A3       | RJA0004    | AC POWER SUPPLY CORD    | △ (GC)   |
|          |              |                           |          | A3       | SJA173     | AC POWER SUPPLY CORD    | △ (GN)   |
| 1        | RGRO101G-A   | REAR PANEL                | (EB)     | A4       | SJPK2203-2 | STEREO CONNECTION CABLE | ✓        |
| 1        | RGRO101D-A   | REAR PANEL                | (GC)     | A5       | SJP2257T   | L-TYPE CABLE            |          |
| 1        | RGRO101E-A   | REAR PANEL                | (GN)     | A6       | SPB1162T   | AM LOOP ANTENNA         |          |
| 1        | RGRO101B-A   | REAR PANEL                | (E)      | A6-1     | SMA233-1M  | HOLDER                  |          |
| 2        | RGWO118-K    | KNOB, TUNING              |          | A6-2     | SMA231M    | HOLDER                  |          |
| 3        | RJS1A4802-A  | AC OUTLET COVER           | (EB)     | A6-3     | XTB3+10AFZ | SCREW                   |          |
| 3        | SJS9331A     | AC OUTLET COVER           | (GC)     | A7       | SSA270M    | FM INDOOR ANTENNA       | (E, EB)  |
| 3        | RJS1A4602    | AC OUTLET COVER           | (GN)     | A7       | SSA272M    | FM INDOOR ANTENNA       | (GC, GN) |
| 3        | RJS1A4902-A  | AC OUTLET COVER           | (E)      | A8       | SJP9009    | ATTACHMENT PLUG         | △ (EB)   |
| 4        | FMNO099-1    | FL HOLDER                 |          | A9       | SJP9215    | AC PLUG ADAPTOR         | △ (GC)   |
| 5        | FWJ1806130QQ | FLAT CABLE                |          |          |            |                         |          |
| 6        | RGU0453-K    | BUTTON                    |          |          |            |                         |          |
| 7        | RGU0455-K    | BUTTON                    |          |          |            |                         |          |
| 8        | RGU0587-K    | BUTTON                    |          |          |            |                         |          |
| 9        | RGU0588-K    | BUTTON                    |          |          |            |                         |          |
| 10       | SHE187-2     | HOLDER                    |          |          |            |                         |          |
| 11       | SNE4021      | NUT                       |          |          |            |                         |          |
| 12       | RHD30007     | SCREW                     |          |          |            |                         |          |
| 13       | XTB3+8JFZ    | SCREW                     |          |          |            |                         |          |
| 14       | XTBS26+8J    | SCREW                     |          |          |            |                         |          |
| 15       | XTBS3+8JFZ1  | SCREW                     |          |          |            |                         |          |
| 16       | XTB3+20JFZ   | SCREW                     |          |          |            |                         |          |
| 17       | RFKGTX302LEK | FRONT PANEL ASS'Y         |          |          |            |                         |          |
| 18       | RFKJTX302LEK | BOTTOM CASE ASS'Y         |          |          |            |                         |          |
| 18-1     | RKA0011-2    | FOOT                      |          |          |            |                         |          |
| 19       | RKM0055-1K   | CABINET                   |          |          |            |                         |          |
|          |              | PACKING MATERIAL          |          |          |            |                         |          |
| P1       | RPC0846      | PACKING CASE              |          |          |            |                         |          |
| P2       | RPN0329-1    | PAD                       |          |          |            |                         |          |
| P3       | SPSD152      | ACCESSORIES BOX           |          |          |            |                         |          |
| P4       | SPB1061      | PROTECTION COVER (MANUAL) |          |          |            |                         |          |
|          |              | ACCESSORIES               |          |          |            |                         |          |
| A1       | RAK-SC304W   | REMOTE CONTROLLER         |          |          |            |                         |          |
| A1-1     | RKK0020-K    | BATTERY COVER             |          |          |            |                         |          |
| A2       | RQF1005      | INSTRUCTIONS MANUAL ASS'Y | (E)      |          |            |                         |          |
| A2       | RQF1006      | INSTRUCTIONS MANUAL ASS'Y | (EB)     |          |            |                         |          |
| A2       | RQF1008      | INSTRUCTIONS MANUAL ASS'Y | (GC)     |          |            |                         |          |
| A2       | RQF1009      | INSTRUCTIONS MANUAL ASS'Y | (GN)     |          |            |                         |          |
| A2-1     | RQA0013      | WARRANTY CARD             | (E, EB)  |          |            |                         |          |
| A2-1     | SQX7186      | WARRANTY CARD             | (GN)     |          |            |                         |          |
| A2-2     | RQCB0169     | SERVICE CENTER LIST       |          |          |            |                         |          |
| A2-3     | RQT0922-B    | INSTRUCTIONS MANUAL       | (EB, GN) |          |            |                         |          |
| A2-3     | RQT0920-G    | INSTRUCTIONS MANUAL       | (GC)     |          |            |                         |          |
| A2-3     | RFKSTX302LEK | INSTRUCTION MANUAL        | (E)      |          |            |                         |          |
| A3       | SFDAC05E03   | AC POWER SUPPLY CORD      | △ (E)    |          |            |                         |          |



# PACKING



1494